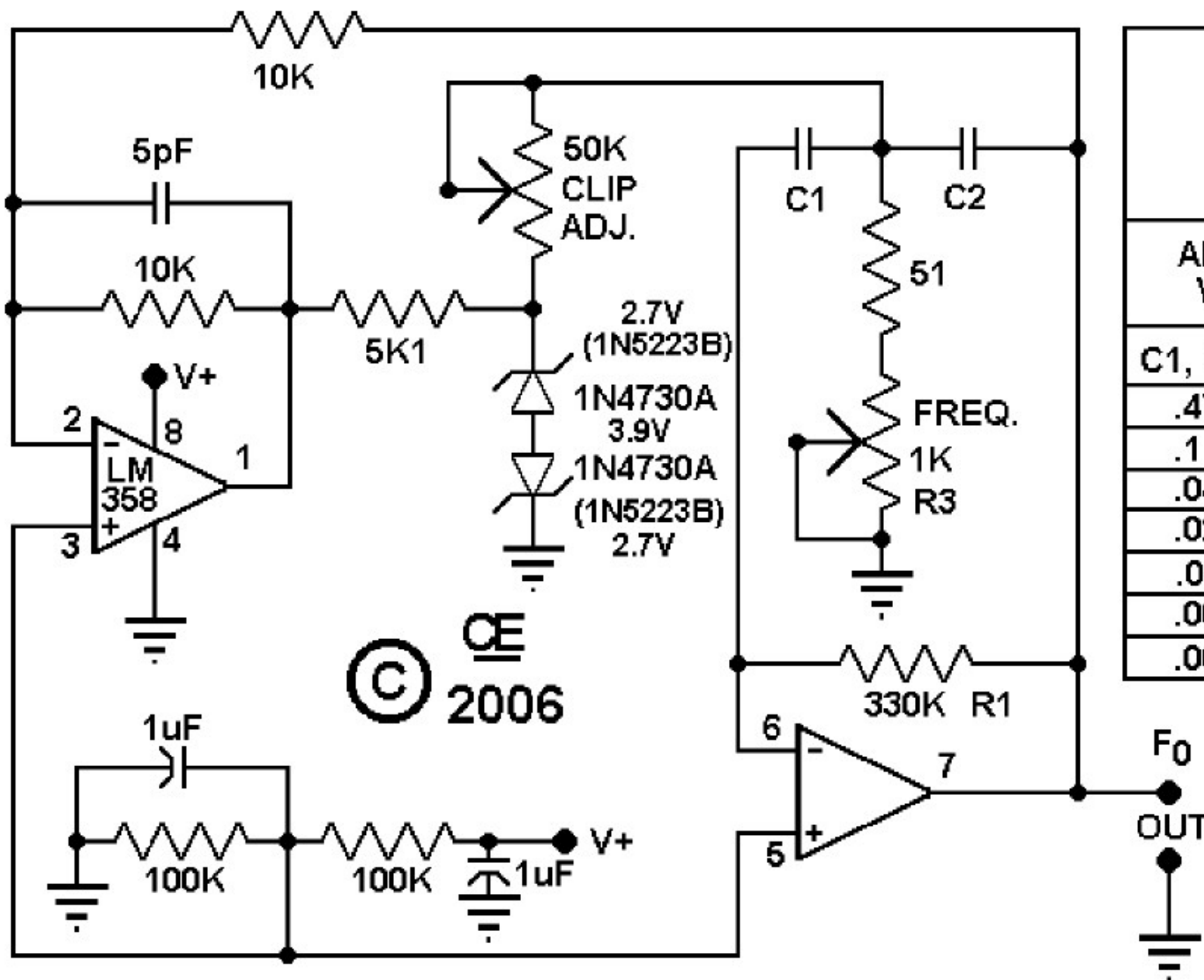


LOW DISTORTION, SINE WAVE OSCILLATOR



ACTUAL FORMULA		
$F_0 = \frac{1}{2\pi C1 \sqrt{R3 R1}}$		
APPROXIMATE FREQ. IN Hz. WITH VALUES AS SHOWN.		
C1, C2	MIN. FREQ.	MAX. FREQ.
.47	18	80 Hz
.1	80	380
.047	180	760
.022	180	1,700
.01	925	3,200
.0047	1,700	8,000
.002	4,400	20,000

ALL CAPACITORS IN μF .

FOR A STABLE FREQUENCY USE GOOD QUALITY CAPACITORS AND RESISTORS.

1% RESISTORS ARE RECOMMENDED.

USE A 1 μF TANTALUM, BYPASS CAP ON THE SUPPLY VOLTAGE.