



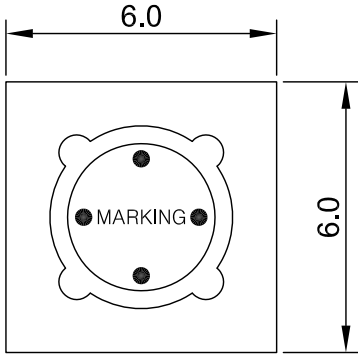
SPECIFICATION

ITEM	SMD POWER INDUCTOR	Part No.	SMD6028
		Rev.	

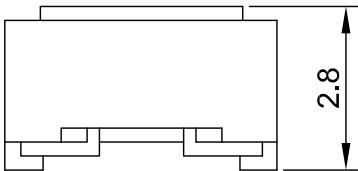
1. DIMENSION (UNIT : mm)

Image

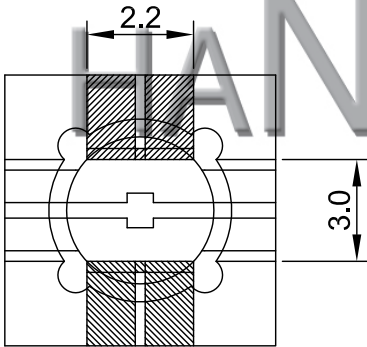
TOP



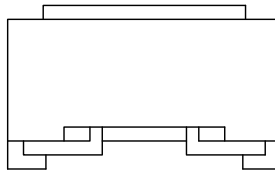
FRONT



BOTTOM



SIDE



전자부품전문 하남전자

HANAMELEC.NET

SMD6028 ← PART NO.

HN XX YY X ← LOT NO.

S : SUNGNAM
M : MEILAI
H : HONGYUAN

← WEEK

← YEAR

← MANUFACTURER

* CENTER AIR GAP	
* REMOVED PIN	
* CUTTING PIN	

DATE	09.10.15	HNE HANAM ELECTRONICS CO., LTD.	<i>YB.jeong</i>	<i>KD.KIM</i>	
PAGE			DESIGNED	CHECKED	APPROVED