

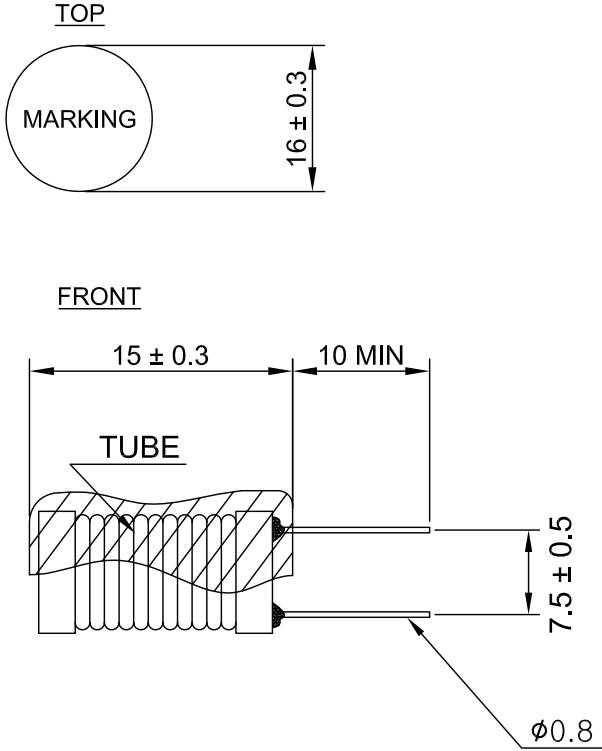


SPECIFICATION

ITEM	INDUCTOR	Part No.	DR1415PT
		Rev.	

1. DIMENSION (UNIT : mm)

Image



전자부품전문 하남전자
HANAMELEC.NET

DR1415PT-101MB

- { B : BULK
- { R : REEL
- TOROLENCE
- L : 100 μ H
- ST : SELF COIL TUBE
- PT : SELF CORE TUBE
- BT : BASE TUBE
- PK : PEAKING
- { 외경 : 14.0mm
- { 길이 : 15.0mm
- DRUM CORE

* CENTER AIR GAP	
* REMOVED PIN	
* CUTTING PIN	

DATE	09.10.15	HNE HANAM ELECTRONICS CO., LTD.	<i>yB.jeong</i>	<i>KD.KIM</i>	
PAGE			DESIGNED	CHECKED	APPROVED