

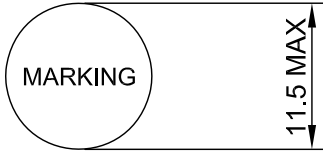


# SPECIFICATION

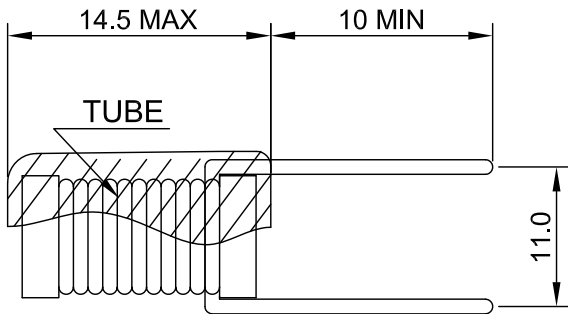
ITEM	INDUCTOR	Part No.	DR1012ST
		Rev.	

## 1. DIMENSION (UNIT : mm)

TOP



FRONT

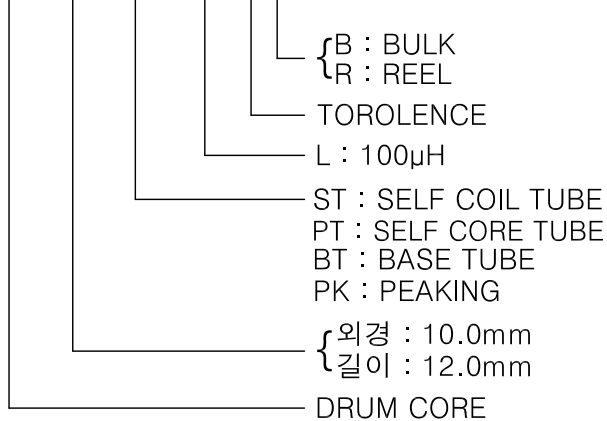


Image



전자부품전문 하남전자  
HANAMELEC.NET

DR1012ST-101MB



* CENTER AIR GAP	
* REMOVED PIN	
* CUTTING PIN	

DATE	09.10.15	<b>HNE</b> HANAM ELECTRONICS CO., LTD.	<i>YB.jeong</i>	<i>KD.KIM</i>	
PAGE			DESIGNED	CHECKED	APPROVED