



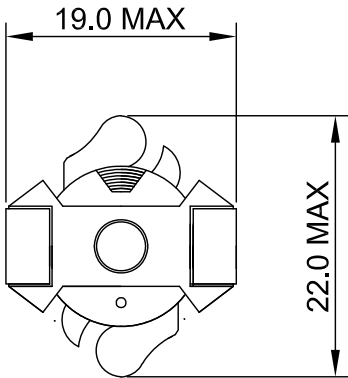
# SPECIFICATION

ITEM	SWITCHING TRANSFORMER (RM)	Part No.	RM6
		Rev.	

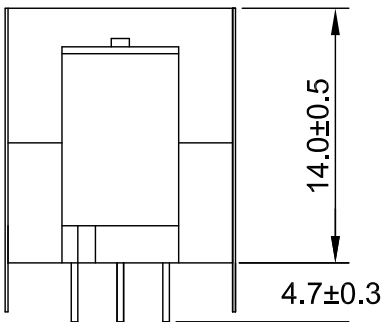
## 1. DIMENSION (UNIT : mm)

Image

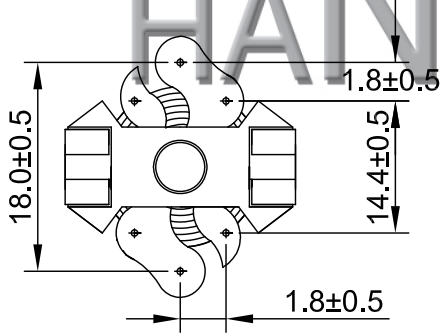
TOP



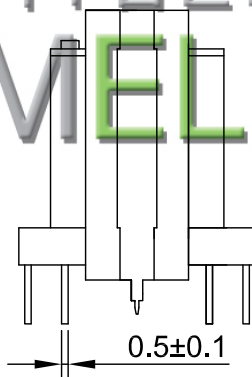
FRONT



BOTTOM



SIDE



전자부품전문 하남전자

HANAMELEC.NET

RM6

PART NO.

HN XX YY X

LOT NO.

S : SUNGNAM  
M : MEILAI  
H : HONGYUAN

WEEK

YEAR

MANUFACTURER

* CENTER AIR GAP	
* REMOVED PIN	
* CUTTING PIN	

DATE	09.10.15	<b>HNE</b> HANAM ELECTRONICS CO., LTD.	<i>yB.jeong</i>	<i>KD.KIM</i>	
PAGE			DESIGNED	CHECKED	APPROVED