

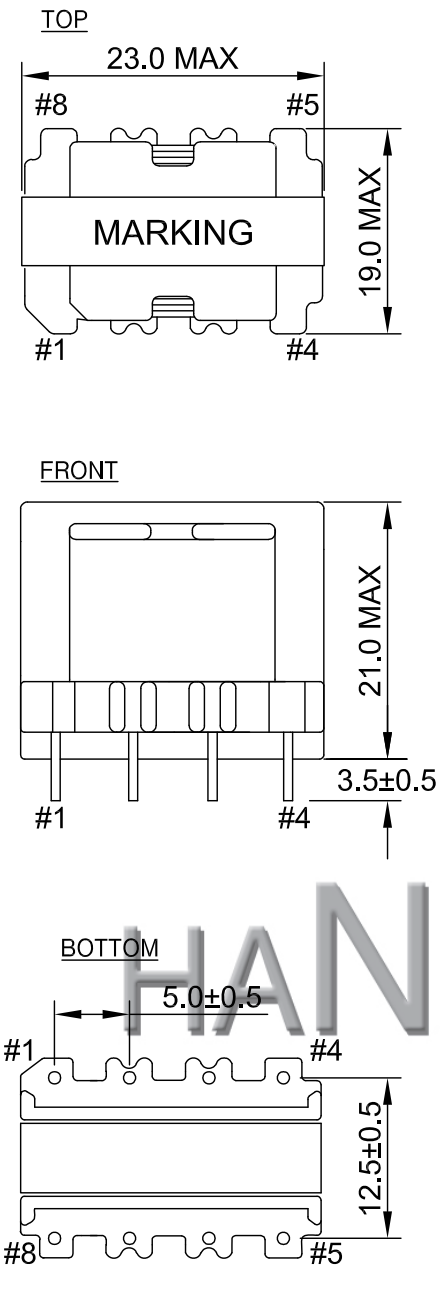


SPECIFICATION

ITEM	SWITCHING TRANSFORMER (EEI)	Part No.	EEI2218V8P
		Rev.	

1. DIMENSION (UNIT : mm)

Image



전자부품전문 하남전자

HANAMELEC.NET

EEI2218V8P ← PART NO.

HN XX YY X ← LOT NO.
 S : SUNGNAM
 M : MEILAI
 H : HONGYUAN

← WEEK
 ← YEAR
 ← MANUFACTURER

* CENTER AIR GAP	
* REMOVED PIN	
* CUTTING PIN	

DATE	09.10.15	HNE HANAM ELECTRONICS CO., LTD.	<i>YB.jeong</i>	<i>KD.KIM</i>	
PAGE			DESIGNED	CHECKED	APPROVED