

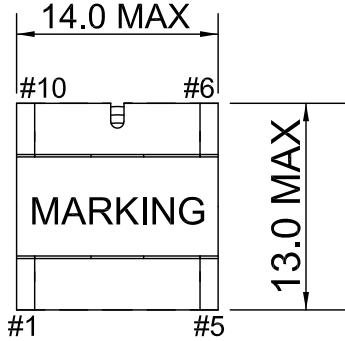


SPECIFICATION

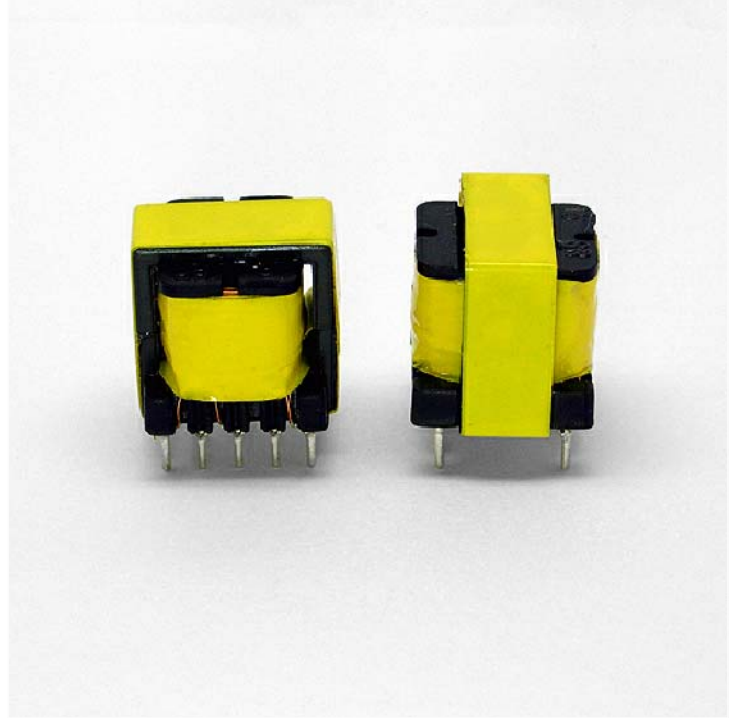
ITEM	SWITCHING TRANSFORMER (EEI)	Part No.	EE1312V10P
		Rev.	

1. DIMENSION (UNIT : mm)

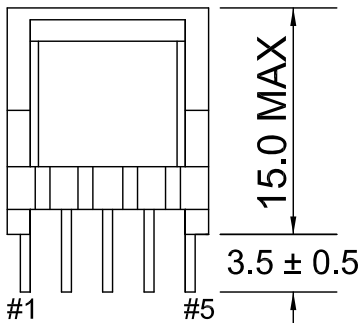
TOP



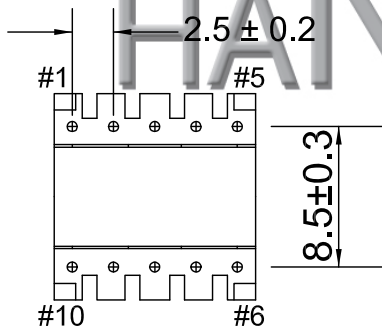
Image



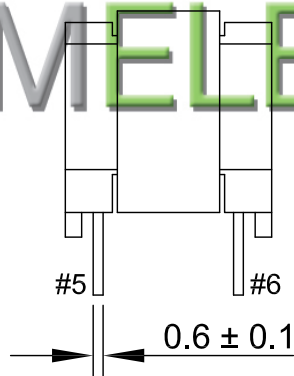
FRONT



BOTTOM



SIDE



전자부품전문 하남전자

HANAMELEC.NET

EE1312V10P

PART NO.

HN XX YY X

LOT NO.

S : SUNGNAM
M : MEILAI
H : HONGYUAN

WEEK

YEAR

MANUFACTURER

* CENTER AIR GAP	
* REMOVED PIN	
* CUTTING PIN	

DATE	09.10.15	HANAM ELECTRONICS CO., LTD.			APPROVED
PAGE			DESIGNED		